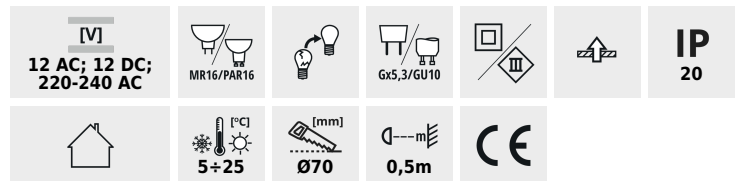


## ELNIS S

Ring for spotlight fittings



### ELNIS S W-A



ELNIS S W	<b>27800</b>	max 35	white	none	
ELNIS S W/A	<b>27801</b>	max 35	white/anthracite	none	
ELNIS S A/W	<b>27802</b>	max 35	anthracite / white	none	
ELNIS S A/C	<b>27803</b>	max 35	anthracite / chrome	none	



The Kanlux ELNIS is a fixture which consists of two parts forming a whole. It is a combination of two separate elements: the body (the main part) and the casing (the spacer ring), forming a perfectly matched whole. ELNIS S is a fixture with a 10-mm-high casing. The Kanlux ELNIS is characterised by modern design and very-high quality of workmanship.

- Decorative ring without a ceramic frame
- Enclosure material: aluminum alloy

## ELNIS S

Ring for spotlight fittings



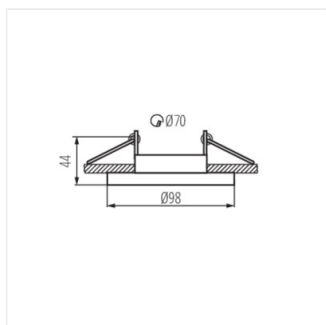
ELNIS S W



ELNIS S A/W



ELNIS S A/C



ELNIS S